



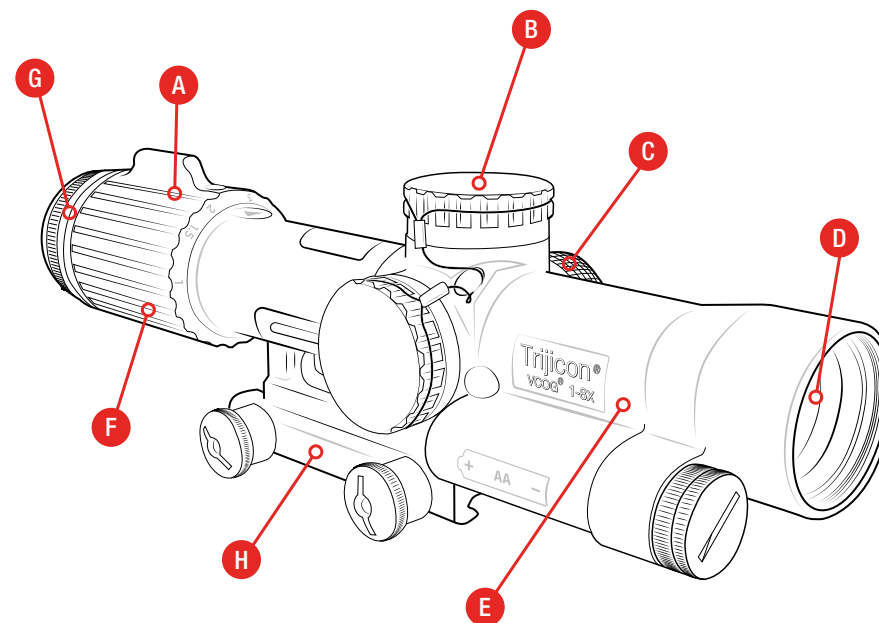
# Trijicon VCOG®

## EXTREME DURABILITY. ABSOLUTE PRECISION.

The Trijicon VCOG® (Variable Combat Optical Gunsight) is a highly rugged, illuminated, variable magnification riflescope designed for close-quarter battle (CQB) and long-distance marksmanship. Known for its nearly indestructible design, first focal plane reticle and outstanding glass quality, the VCOG is trusted by the U.S. Military, law enforcement, and 3-Gun competitors to take a beating and maintain zero.

## Features and Benefits

- A Quick Magnification Adjustments**  
Integrated dial fin allows easy rotation through magnification settings.
- B Easy-To-Set Adjusters**  
Adjustments are easy and precise—without requiring tools.
- C Adjustable Brightness Settings**  
11 brightness settings (1-8x28);  
6 brightness settings (1-6x24)
- D Superior Quality Glass**  
Multi-coated lenses provide superior clarity and light-gathering capabilities with zero distortion.
- E Rugged & Durable**  
Tested to MIL-STD-810G, a series of tests approved by the U.S. Department of Defense to simulate conditions in the field.
- F Waterproof to 20m/66 Ft.**  
Dry nitrogen-filled to eliminate fogging.
- G Quick, Accurate Ranging Reticles**  
1-6x24 offers BDC or Universal MRAD and MOA reticles; 1-8x28 offers Universal MRAD and MOA reticles.
- H Easily Mounts to Firearms with Standard Picatinny Rail**  
Integrated mounting solution allows the optic to be mounted out of the box. No conventional scope rings needed.



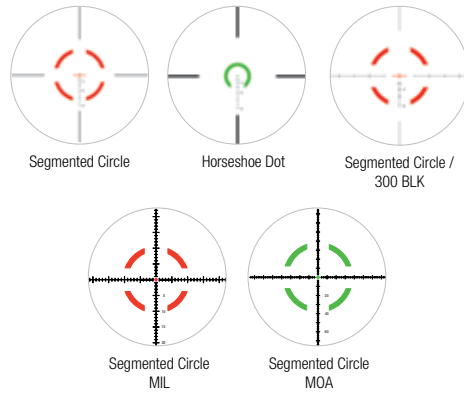


	1-6x24 (VC16 Series)
<b>Magnification</b>	1-6x
<b>Objective Lens</b>	24mm
<b>Focal Plane</b>	First
<b>Eye Relief</b>	4 in. Constant 101.6mm
<b>Exit Pupil</b>	0.41 – 0.15 in. 10.4 – 3.8mm
<b>Field of View (Degrees)</b>	18.0 – 3.0°
<b>Field of View</b>	95 – 15.9 ft. @ 100 yd. 31.7 – 5.3m @ 100m
<b>Adjustments</b>	MOA / MIL .25 MOA / .1 MIL Per Click
<b>Adjustment Range (Elevation and Windage)</b>	90 MOA Total Travel (35 MOA Per Revolution)
<b>Dimensions (L x W x H)</b>	10.05 x 2.51 x 2.73 in. 255 x 64 x 69mm
<b>Weight</b>	23.2 oz. (w/o Mount or Battery) 657.7g
<b>Illumination Source</b>	LED Powered by a Single Lithium or Alkaline AA Battery
<b>Battery Life</b>	700 Hours (Red) 1400 Hours (Green) Continuous Use at Brightness Setting 4 of 6* (Lithium Battery)
<b>Brightness Settings</b>	6

	1-8x28 (VC18 Series)
<b>Magnification</b>	1-8x
<b>Objective Lens</b>	28mm
<b>Focal Plane</b>	First
<b>Eye Relief</b>	4 – 3.9 in. 102 – 99mm
<b>Exit Pupil</b>	0.46 – 0.15 in. 11.8 – 3.5mm
<b>Field of View (Degrees)</b>	20.0 – 2.5°
<b>Field of View</b>	109.2 – 13.1 ft. @ 100 yd. 36.4 – 4.4m @ 100m
<b>Adjustments</b>	MOA / MRAD .25 MOA / .1 MRAD Per Click
<b>Adjustment Range (Elevation and Windage)</b>	120 MOA Total Travel (20 MOA Per Revolution)
<b>Dimensions (L x W x H)</b>	10.8 x 2.8 x 2.8 in. 274.3 x 71.1 x 71.1mm
<b>Weight</b>	31.5 oz. (w/o Mount or Battery) 893g
<b>Illumination Source</b>	LED Powered by a Single Lithium or Alkaline AA Battery
<b>Battery Life</b>	633 Hours (26.4 Days) Continuous Use at Brightness Setting 6
<b>Brightness Settings</b>	11

\*When used at 70°F (21°C). Extreme temperatures (high or low) will affect lithium battery performance.

# 1-6x24



## Segmented Circle / Crosshair .223 / 55 Grain Ballistic Reticle

Thumbscrew Mount: ■ VC16-C-1600000 ■ VC16-C-1600040  
 Quick-Release Mount: ■ VC16-C-1600007 ■ VC16-C-1600047

## Segmented Circle / Crosshair .223 / 77 Grain Ballistic Reticle

Thumbscrew Mount: ■ VC16-C-1600001 ■ VC16-C-1600041  
 Quick-Release Mount: ■ VC16-C-1600008 ■ VC16-C-1600048

## Segmented Circle / Crosshair .308 / 175 Grain Ballistic Reticle

Thumbscrew Mount: ■ VC16-C-1600004 ■ VC16-C-1600044  
 Quick-Release Mount: ■ VC16-C-1600011 ■ VC16-C-1600051

## Horseshoe Dot / Crosshair .223 / 55 Grain Ballistic Reticle

Thumbscrew Mount: ■ VC16-C-1600002 ■ VC16-C-1600042  
 Quick-Release Mount: ■ VC16-C-1600009 ■ VC16-C-1600049

## Horseshoe Dot / Crosshair .223 / 77 Grain Ballistic Reticle

Thumbscrew Mount: ■ VC16-C-1600003 ■ VC16-C-1600043  
 Quick-Release Mount: ■ VC16-C-1600010 ■ VC16-C-1600050

## Horseshoe Dot / Crosshair .308 / 175 Grain Ballistic Reticle

Thumbscrew Mount: ■ VC16-C-1600005 ■ VC16-C-1600045  
 Quick-Release Mount: ■ VC16-C-1600012 ■ VC16-C-1600052

## Segmented Circle / Crosshair 300 BLK Ballistic Reticle

Thumbscrew Mount: ■ VC16-C-1600006 ■ VC16-C-1600046  
 Quick-Release Mount: ■ VC16-C-1600013 ■ VC16-C-1600053

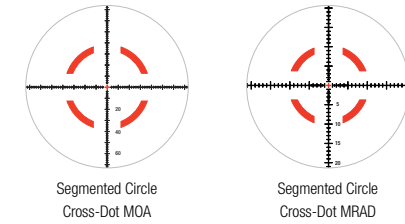
## Segmented Circle / Crosshair MOA

Quick-Release Mount: ■ VC16-C-1600035 ■ VC16-C-1600036

## Segmented Circle / Crosshair MIL ITAR

Quick-Release Mount: ■ VC16-D-1600037 ■ VC16-D-1600038

# 1-8x28



## Segmented Circle Cross-Dot MOA

Thumbscrew Mount: ■ VC18-C-2400001

## Segmented Circle Cross-Dot MRAD

Thumbscrew Mount: ■ VC18-C-2400003

